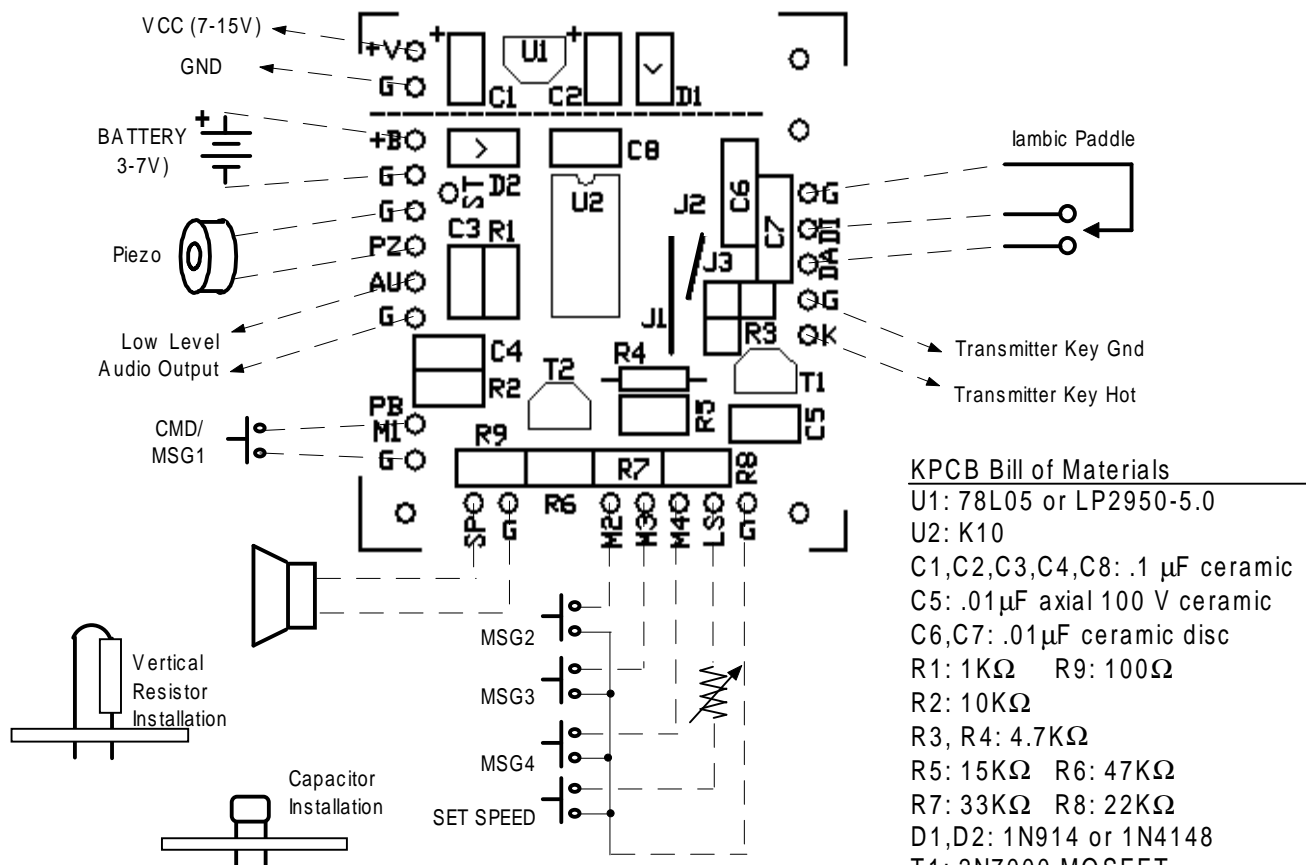


KPCB for K10 Assembly Information 6-12-2000



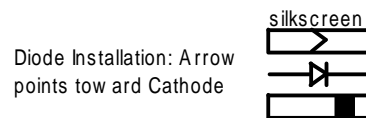
- 1) Install Jumpers J1 and J3
- 2) Install resistors R3, R4, R5, R6, R7, R8.
- 3a) If this is a battery application install a jumper in place of D2
- 3b) If this is a regulator only application install C1,U1, and a jumper in place of D1
- 3c) If both regulator and battery will be used, Install C1, U1, D1 and D2
- 4) Install transistor T1, be sure that its flat side aligns with the silkscreen
- 5) Install capacitors C5, C6, C7, and C8
- 6) If using the speaker drive circuit install R9 and transistor T2
- 7) If using the low level audio circuit install R1, R2, C3, and C4
- 8) Install 8 pin socket at location U1 (optional)

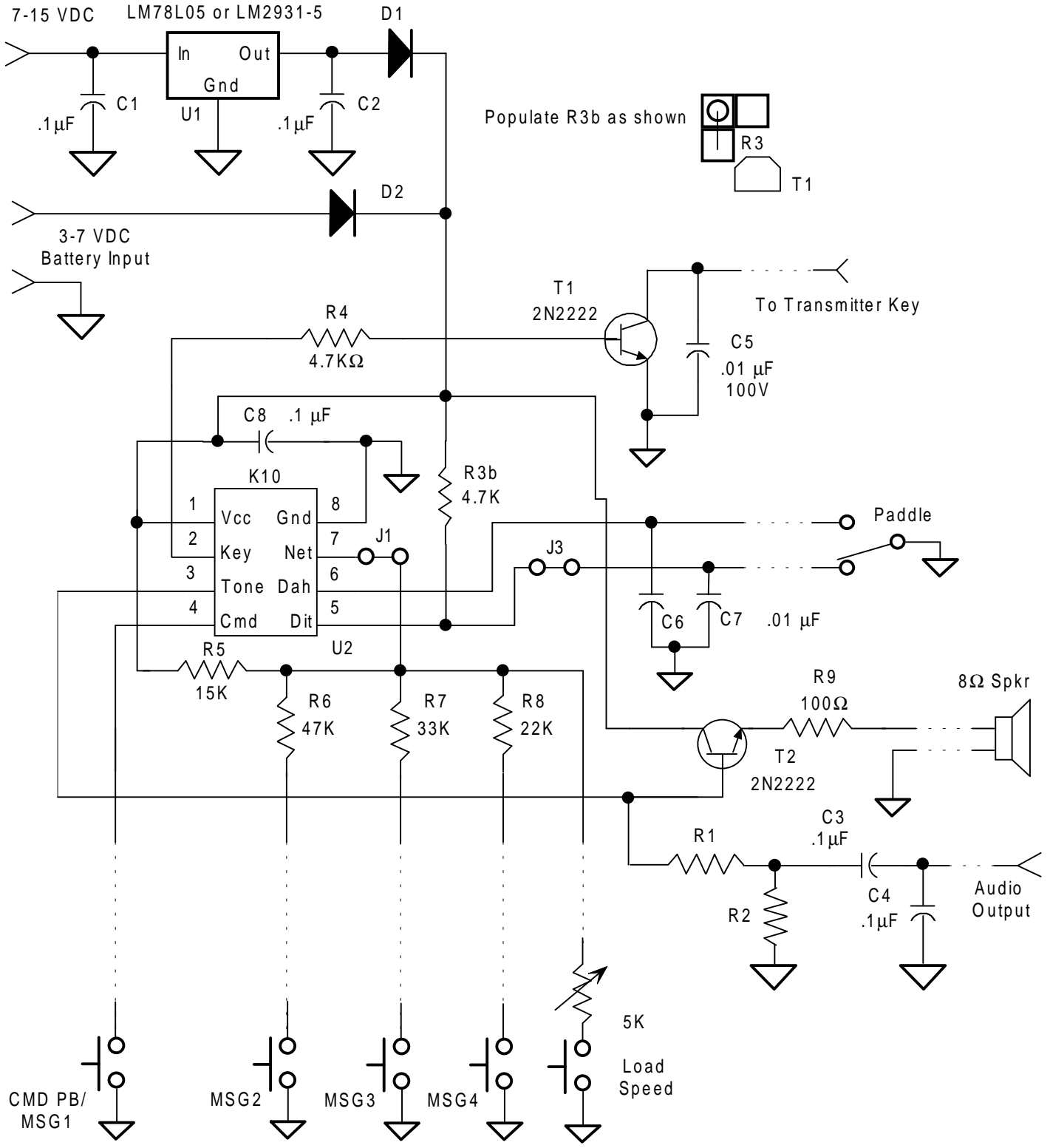
Final assembly and Checkout

- 1) Connect external connections as shown in figure above.
- 2) There are three audio options: an external 8 Ω speaker, a piezo speaker, or audio feed to an external amplifier or xmit microphone input.
- 3) Double check power supply polarity and apply power to board.
- 4) Check voltage at U2 between pin 1 and 8. Pin 1 should be positive with respect to pin 8 and should be 5 volts.
- 5) Turn off power and install U2 carefully as no not bend any leads.
- 6) Reapply power and the K chip will send a morse R in sidetone.
- 7) Refer to manual and test out the various commands.
- 8) Wire up a transmitter key and you are ready to operate.

Partial Parts Kit Notes:

- C2 is optional and does not need to be installed
- The transistor labeled S442 is a replacement for the 2N2222A.
- The higher voltage .01 cap is used at location C5
- The parts kit does not include R1, R2, C3, C4. These are only installed for AFK option





KPCB Configured for K10 Chip