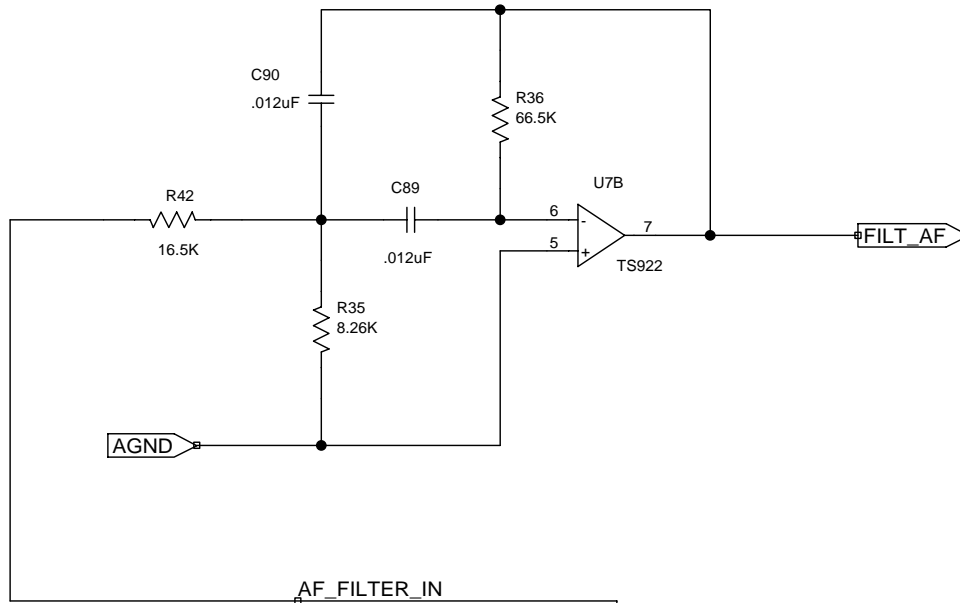


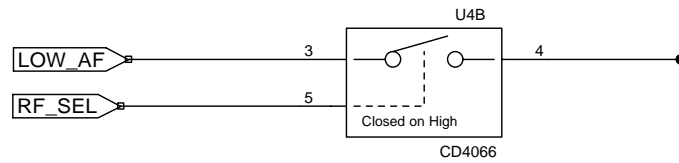
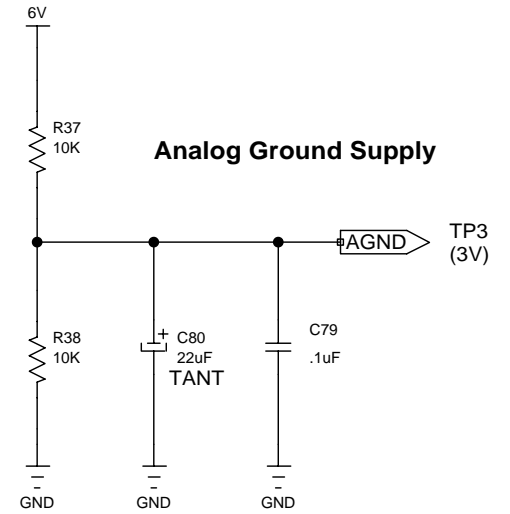
XTAL = 7.68 MHz Filter Z = 125 ohms  
 C68, C70 = 220P C67, C69, C71 = 390p  
 C66 = 47pF L6+L7 = 8.4uH R44 = 150 ohms  
 C57, C59 = 0pF C6, C8, C14 = 0p (Tx)

Title openQRP Transceiver - Receiver 1st/2nd Mixers & Detector		
Author Steven T Elliott www.openQRP.org		
File _RevD\openQRP_R03\openQRP_SCH_R03.dsn	Document	
Revision D	Date 12/5/2011	Sheets 1 of 9

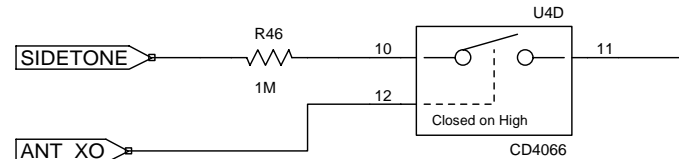
### Active Audio Filter (690 Hz)



### Analog Ground Supply



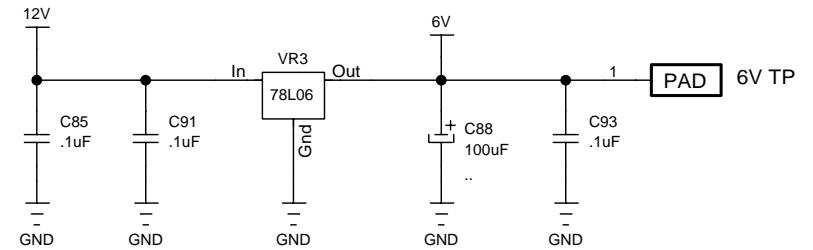
### Recovered Audio Select



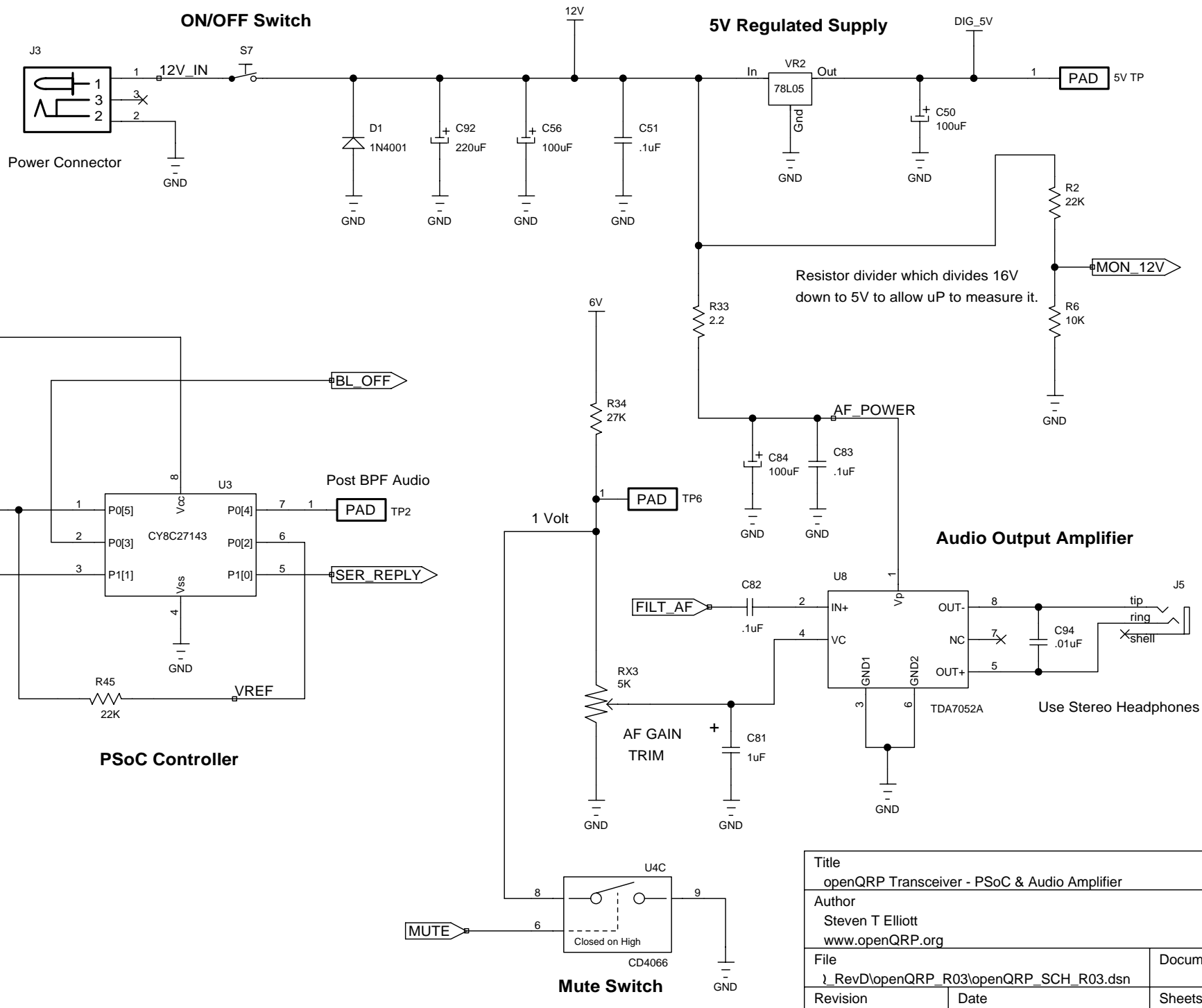
### Sidetone Select

High when transmitting  
Low during receive

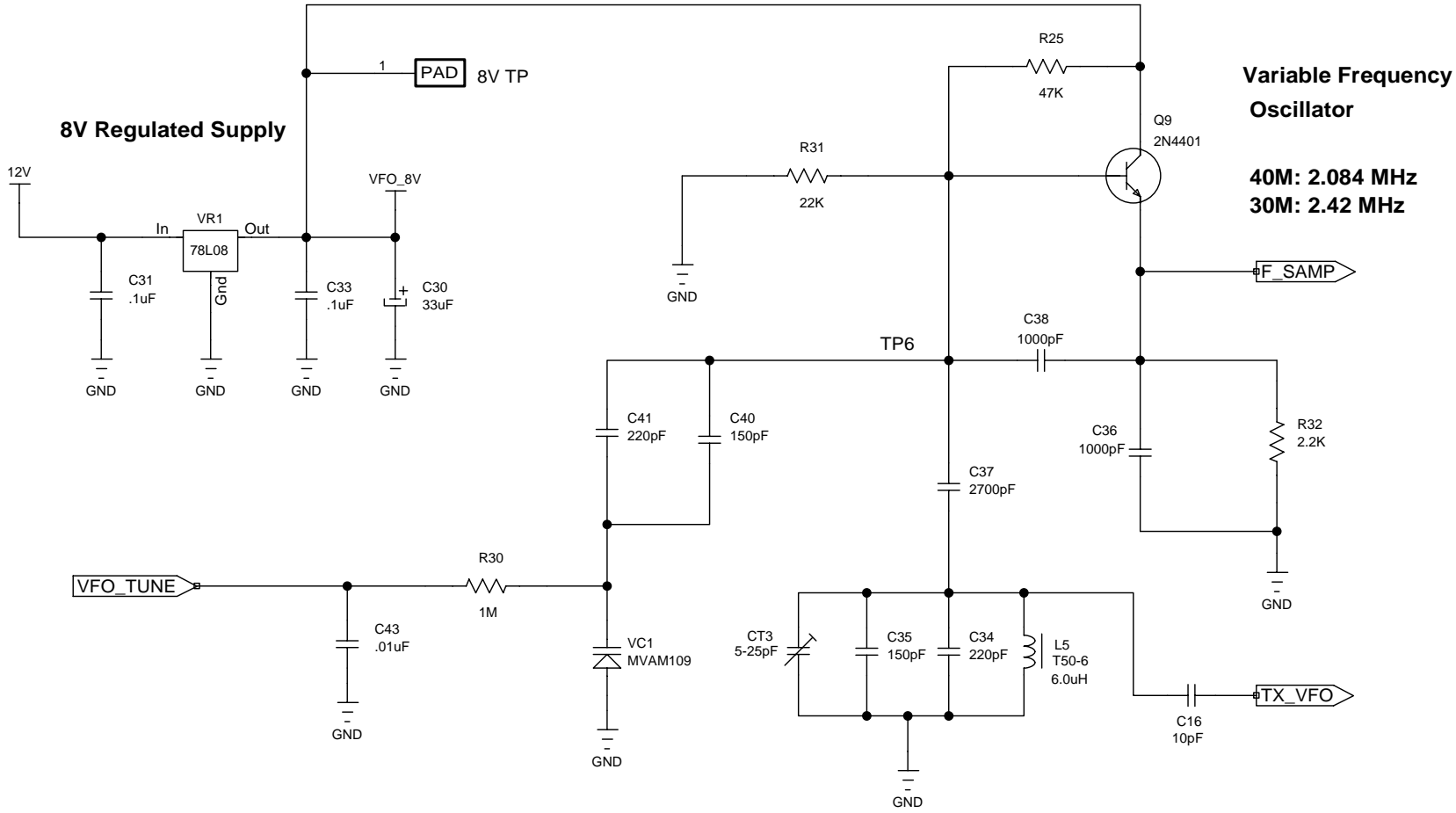
### 6V Regulated Supply



Title		
openQRP Transceiver - Four Pole Active Filter		
Author		
Steven T Elliott		
www.openQRP.org		
File		Document
\\_RevD\openQRP_R03\openQRP_SCH_R03.dsn		
Revision	Date	Sheets
D	12/5/2011	2 of 9



Title openQRP Transceiver - PSoc & Audio Amplifier		
Author Steven T Elliott www.openQRP.org		
File _RevD\openQRP_R03\openQRP_SCH_R03.dsn	Document	
Revision D	Date 12/5/2011	Sheets 3 of 9



**Variable Frequency Oscillator**

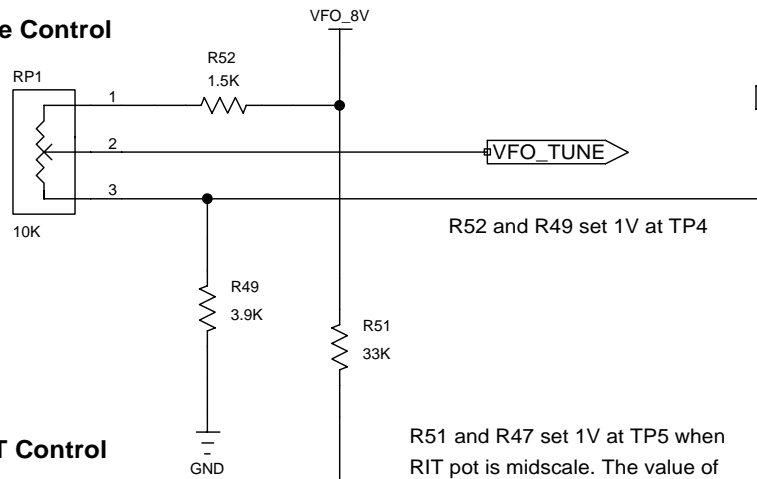
**40M: 2.084 MHz  
30M: 2.42 MHz**

**40M Values Shown**

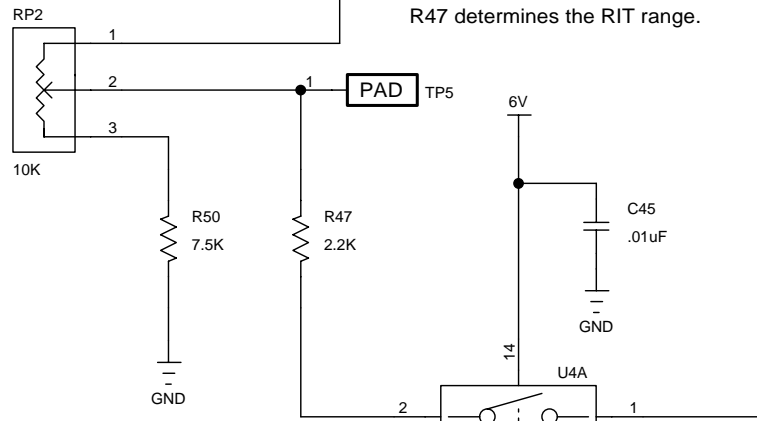
Title openQRP Transceiver - VFO with Varactor Tuning		
Author Steven T Elliott www.openQRP.org		
File _RevD\openQRP_R03\openQRP_SCH_R03.dsn		Document
Revision D	Date 12/5/2011	Sheets 4 of 9

### TUNE and RIT Controls

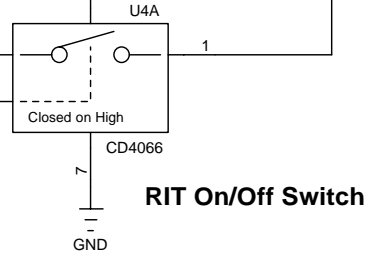
#### Tune Control



#### RIT Control



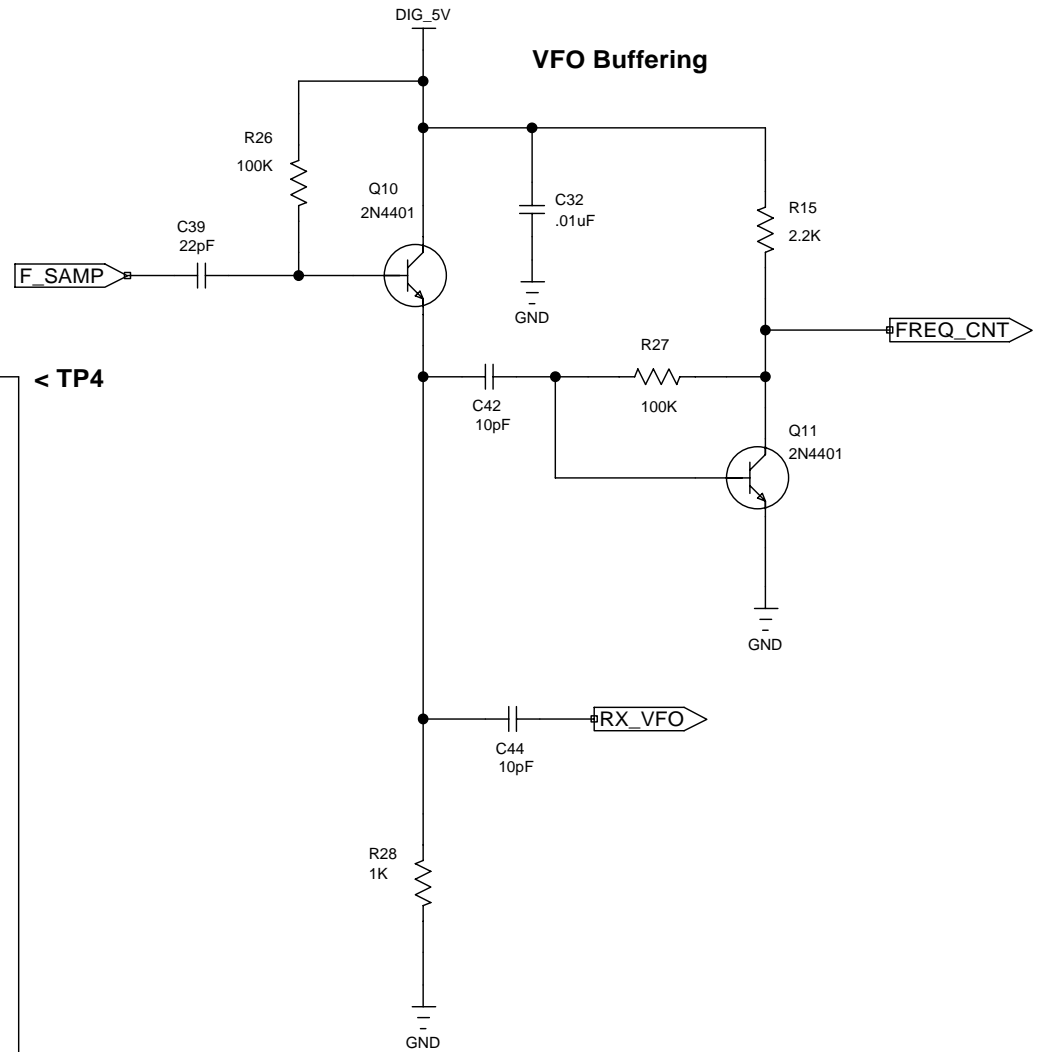
RIT\_ON



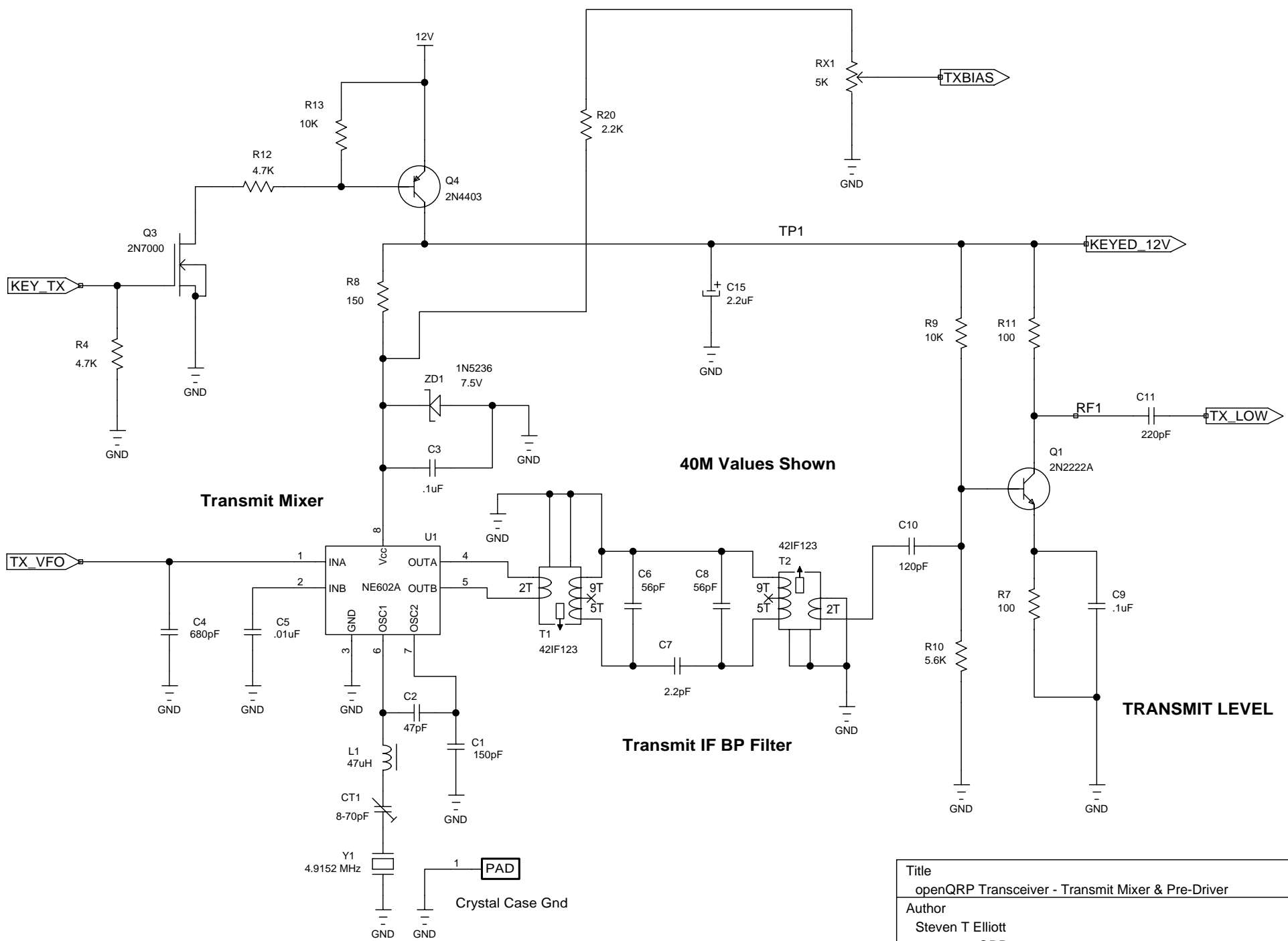
#### RIT On/Off Switch

**RIT Calibration**  
Turn RIT off and adjust RP2 to get 1.0V at TP5. Then set RIT knob so that its arrow is centered.

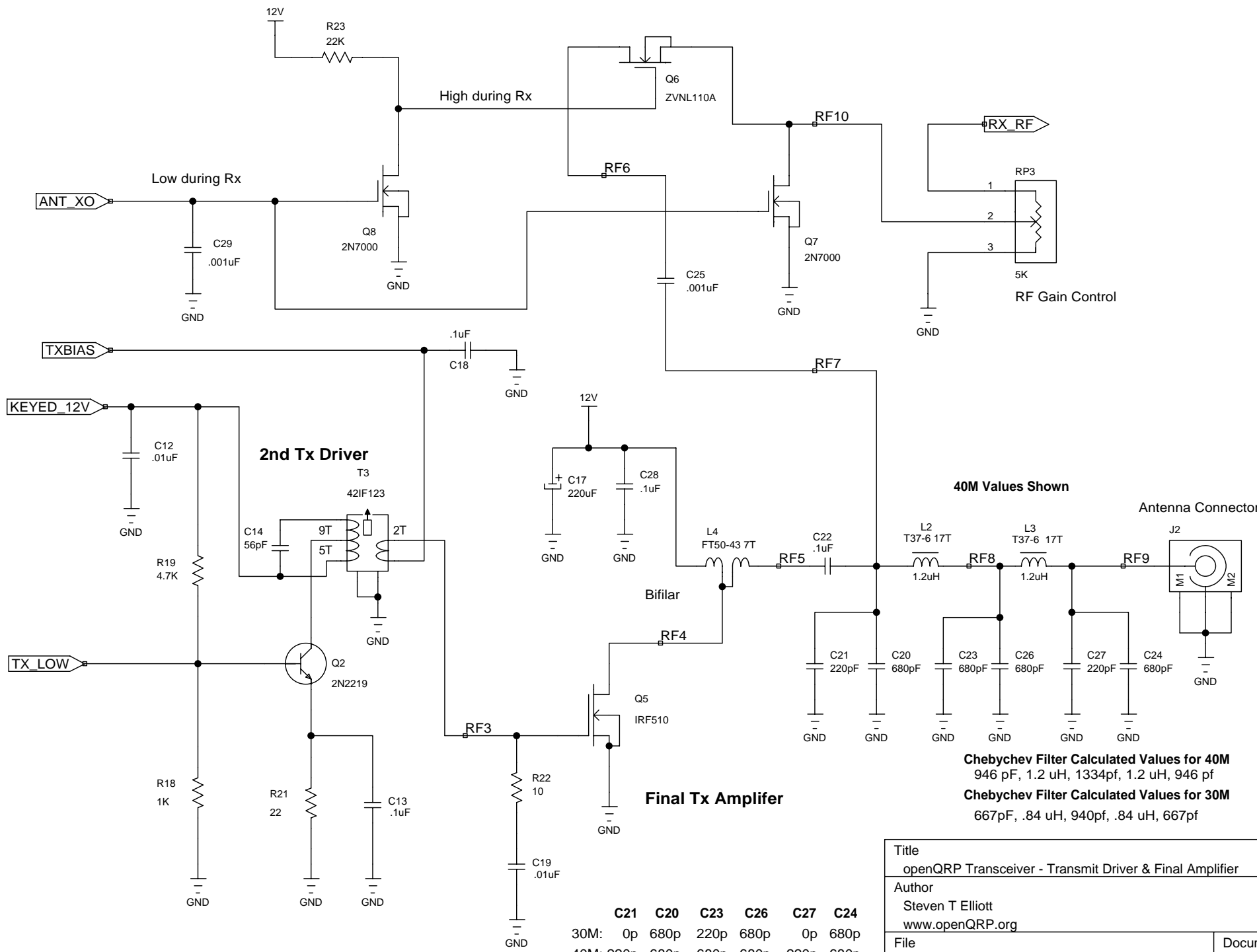
### VFO Buffering



Title openQRP Transceiver - VFO Buffer Amp		
Author Steven T Elliott www.openQRP.org		
File _RevD\openQRP_R03\openQRP_SCH_R03.dsn	Document	
Revision D	Date 12/5/2011	Sheets 5 of 9



Title		
openQRP Transceiver - Transmit Mixer & Pre-Driver		
Author		
Steven T Elliott		
www.openQRP.org		
File	Document	
\\_RevD\openQRP_R03\openQRP_SCH_R03.dsn		
Revision	Date	Sheets
D	12/5/2011	6 of 9

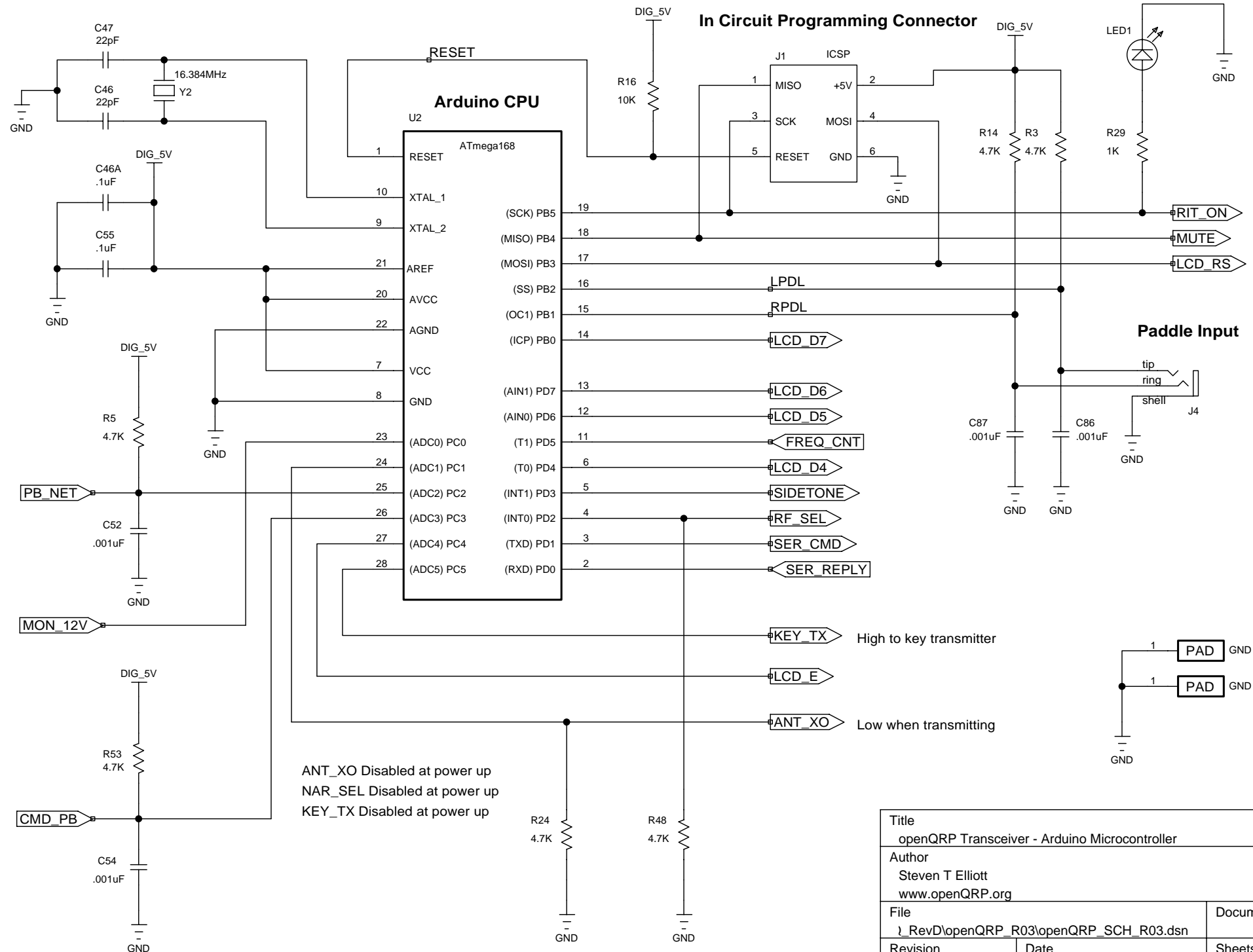


40M Values Shown

**Chebyshev Filter Calculated Values for 40M**  
 946 pF, 1.2 uH, 1334pf, 1.2 uH, 946 pf  
**Chebyshev Filter Calculated Values for 30M**  
 667pF, .84 uH, 940pf, .84 uH, 667pf

	C21	C20	C23	C26	C27	C24
30M:	0p	680p	220p	680p	0p	680p
40M:	220p	680p	680p	680p	220p	680p

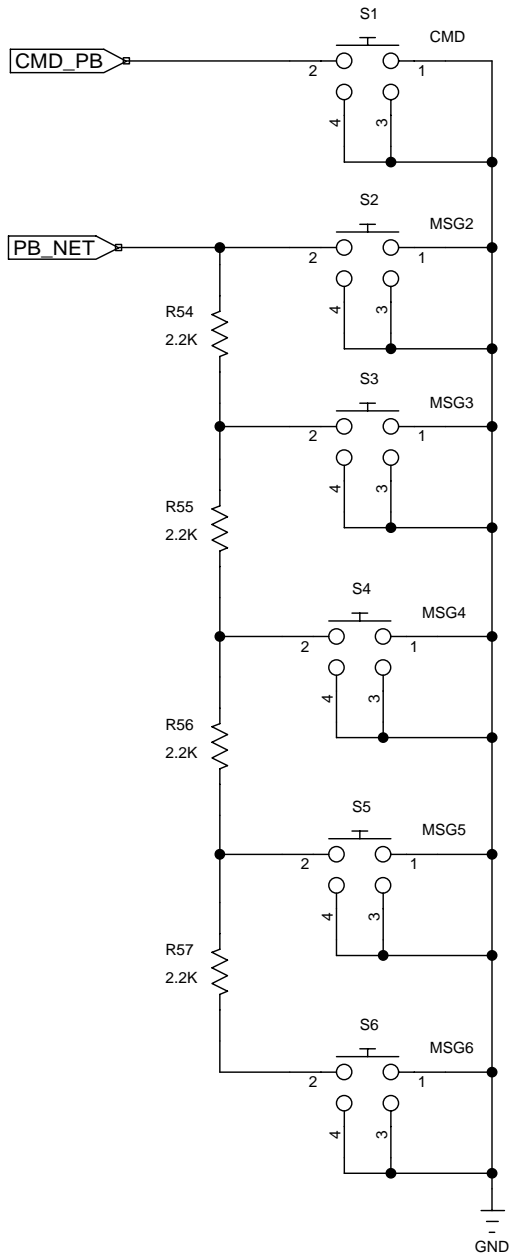
Title openQRP Transceiver - Transmit Driver & Final Amplifier		
Author Steven T Elliott www.openQRP.org		
File _RevD\openQRP_R03\openQRP_SCH_R03.dsn	Document	
Revision D	Date 12/5/2011	Sheets 7 of 9



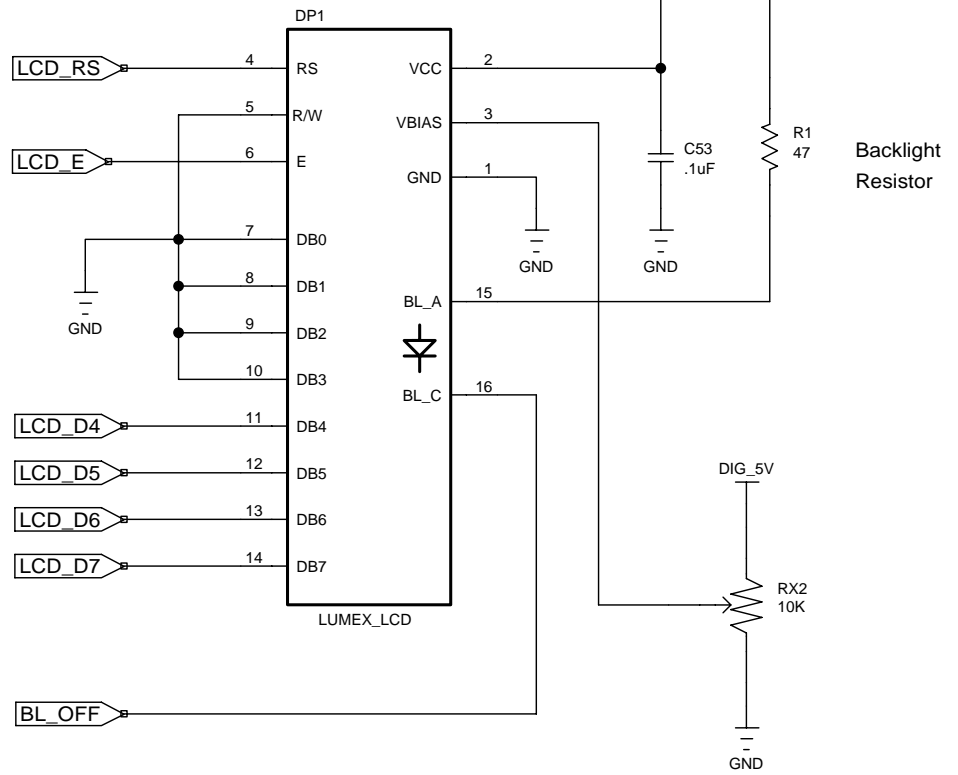
Title		
openQRP Transceiver - Arduino Microcontroller		
Author		
Steven T Elliott www.openQRP.org		
File	Document	
\\_RevD\openQRP_R03\openQRP_SCH_R03.dsn		
Revision	Date	Sheets
D	12/5/2011	8 of 9



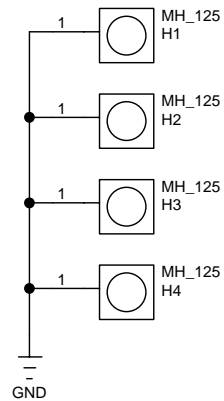
### Front Panel Pushbutton Switches



### LCD Display



### Mounting Holes



### LCD Contrast Control

Title openQRP Transceiver - LCD Display & Pushbutton Switches		
Author Steven T Elliott www.openQRP.org		
File _RevD\openQRP_R03\openQRP_SCH_R03.dsn	Document	
Revision D	Date 12/5/2011	Sheets 9 of 9